

CRAWLER BULLDOZER ZD320-3/6

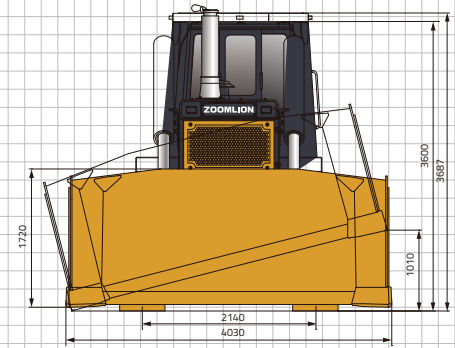
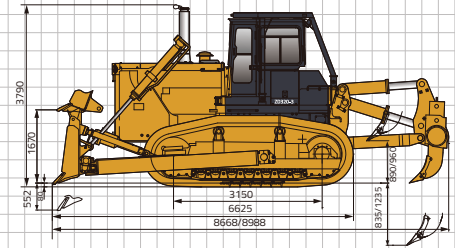


ZOOMLION

CRAWLER BULLDOZER

ZD320-3/6

	Items	ZD320-3/6
Engine	Manufacturer	CUMMINS
	Model	NTA855-C360 / QSNT-C345
	Displacement	14 L
	Rated Speed	2000 r/min
	Rated Power	257 kW
	Electric Generator	24V、60A
	Fuel Consumption Rate	≤242/201 g/kW·h
	Starter Motor	24V、7.9kW
Undercarriage	Width of Track Shoe	560 mm
	Pitch	228.6 mm
	Track Gauge	2140 mm
	Length of Track On Ground	3150 mm
	Ground Clearance	500 mm
	Number of Track Shoes (per side)	41 piece
	Working Device	Blade Type
Width		4030 mm
Height		1720 mm
Max. Lift of Blade Above Ground		1670 mm
Max. Drop of Blade Below Ground		552 mm
Blade Capacity		11.7 m ³
Dimensions and Weight	Operating Weight	35044/35100 kg
	Length (without ripper)	6625 mm
	Length (with multi/single-shank ripper)	8668/8988 mm
	Width	4030 mm
	Height (to top of muffler)	3790 mm



ZOOMLION

Zoomlion Heavy Industry Science & Technology Co.,Ltd.

Add: No.361, South Yinpen Road, Changsha, Hunan Province, P.R.China 410013

Email: earthmoving@zoomlion.com

Copyright©2023 Zoomlion. All rights reserved. Reproduction and copying of any part of contents is not allowed for any purposes without Zoomlion's approval.
Note: Materials and specifications are subject to change without notice. Featured machines in photos may include additional equipment.

