

# 中联重科

# ZMS2065G 履带移动筛分站

Mobile Screen

筛面尺寸 2000x6500 mm

处理能力 150-350 t/h

装机功率 62.5 kW



**ZOOMLION**

颜色组合已取得注册商标保护

## 产品简介

### Product Introduction

整机模块化组装设计，可实现快速拆装，方便保养及维护。

Modularized assembly technology facilitates transport and maintenance.

筛体采用高强钢板、全环槽铆钉连接，设备运行稳定可靠。采用双侧大功率侧板电机驱动，激振振幅大、筛分效率更高。

Vibrating screen is made of high-strength steel plate, connected by ring-shaped rivet, which ensures steady and reliably working. The equipment is driven by two-sided high-power motors with a large amplitude and high screening efficiency.

整机配备智能化控制系统，可实现全自动远程故障诊断及处理。匹配图形操控界面，可实现一键启停，整机控制简单方便。

The smart control systems of ZMS2065 mobile screen has the function of One-button process start & stop, remote real-time diagnostics & easy process optimization.

所有输送机均可折叠，设备转场时可整体发运。

All the conveyors can be folded which facilitates transport.

采用高低速两种行走模式，发热量小，功率损失更低，控制更精准、安全。

The ZMS2065 mobile screen is equipped with load-sensitive hydraulic control system, which has the advantages of low caloric value, less power loss, accurate and safe control.

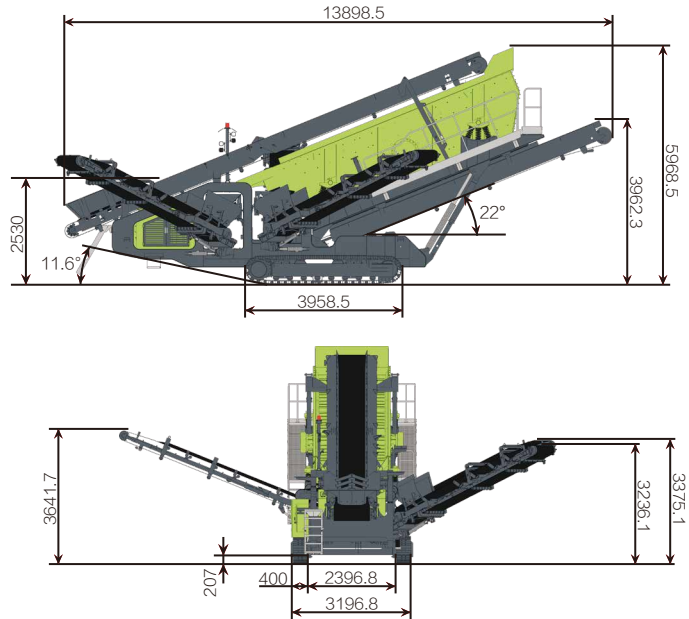
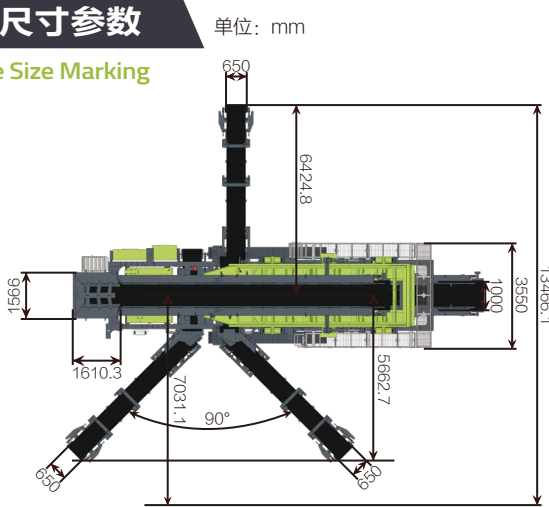
关键元器件原装进口，质量稳定可靠。

The core components are provided by industry-leading manufacturers which guarantees the reliability of ZMS2065 mobile screen.

## 整车尺寸参数

单位: mm

### Vehicle Size Marking



## 整车性能参数

### Vehicle Performance Marking

主要参数 Main Parameters	单位 Unit	数值 Value
处理量 Capacity	t/h	150-350
筛面尺寸 Screen Size	mm	2000x6500
筛面面积 Screen Area	m <sup>2</sup>	13
筛网层数 Number of Screen Mesh Layers	\	3
运输状态外形尺寸 长 x 宽 x 高 Transport size Width x Length x Height	m	14.3x3.72x4.12
发动机功率 Engine Power	kW	103
装机功率 Driving Power	kW	62.5
总质量 Total Weight	t	35
驱动形式 Power Type	\	市电驱动

注: 外接市电 (三相电 380-450V, 50Hz) 或外接发电机组 (与移动破碎站成套)

资料和技术参数如有更改, 恕不另行通知。  
图中所示的机器可能包括附加设备。

