

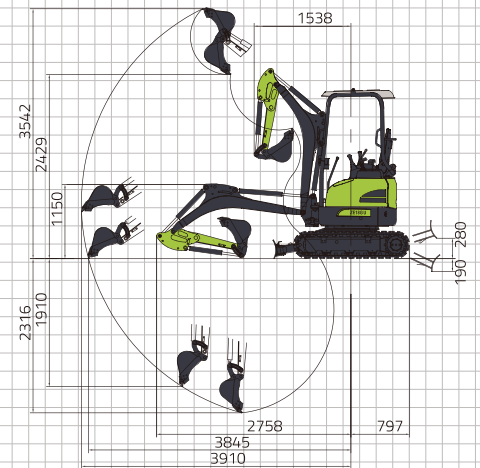
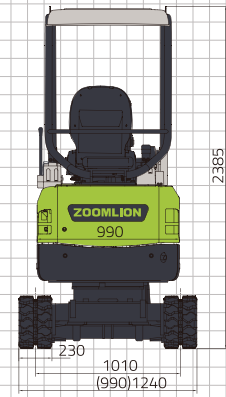
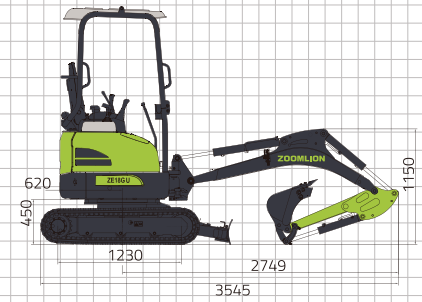
# CRAWLER EXCAVATOR ZE18GU



**ZOOMLION**

# CRAWLER EXCAVATOR ZE18GU

	Items	ZE18GU
Basic Technical Data	Operating Weight	1800 kg
	Standard bucket capacity	0.04 m <sup>3</sup>
	Slewing Speed	10 r/min
	Traveling Speed(high/low)	3.8/2.2 km/h
	Digging Force of Bucket(ISO)	17 kN
	Digging Force of Stick(ISO)	10 kN
Engine	Engine Manufacturer	Kubota
	Engine Model	D902
	Rated Power	11.8 kW / 2300 rpm
	Displacement	0.898 L
	Emission Standard	EU Stage V / Tier 4F
Dimensions	Length	3545 mm
	Width	990 -1240 mm
	Height	2385 mm
	Tail Slewing Radius	620 mm
	Track Gauge	760 -1010 mm
	Length of Track On Ground	1230 mm
Operating Range	Max. Digging Radius	3910 mm
	Max. Digging Reach	3845 mm
	Max. Digging Depth	2316 mm
	Max. Digging Height	3542 mm
	Max. Dumping Height	2429 mm



**ZOOMLION**

**Zoomlion Heavy Industry Science & Technology Co.,Ltd.**

Add: No.361, South Yinpen Road, Changsha, Hunan Province, P.R.China 410013

Email: earthmoving@zoomlion.com

Copyright©2023 Zoomlion. All rights reserved. Reproduction and copying of any part of contents is not allowed for any purposes without Zoomlion's approval.  
Note: Materials and specifications are subject to change without notice. Featured machines in photos may include additional equipment.

