

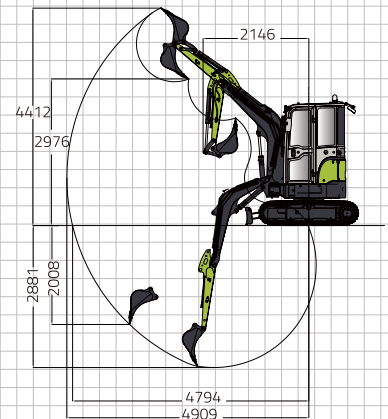
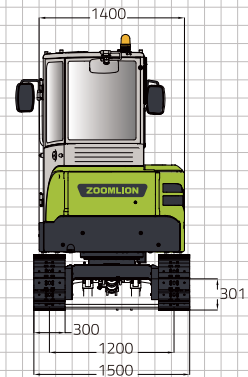
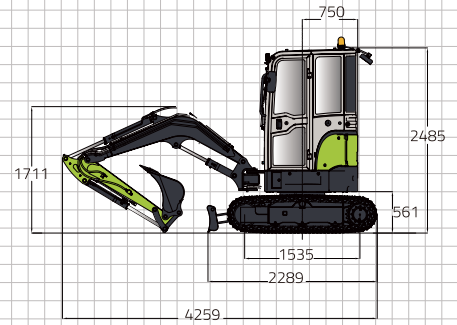
# CRAWLER EXCAVATOR ZE26GU



**ZOOMLION**

# CRAWLER EXCAVATOR ZE26GU

	Items	ZE26GU
Basic Technical Data	Operating Weight	2750 kg
	Standard bucket capacity	0.08 m <sup>3</sup>
	Slewing Speed	10 r/min
	Traveling Speed(high/low)	4.5/2.6 km/h
	Digging Force of Bucket	23.5 kN
	Digging Force of Stick	13.84 kN
Engine	Engine Manufacturer	Kubota
	Engine Model	D1105
	Rated Power	15.6 kW / 2400 rpm
	Displacement	1.123 L
	Emission Standard	EU Stage V / Tier 4F
Dimensions	Length	4259 mm
	Width	1500 mm
	Height	2485 mm
	Tail Slewing Radius	750 mm
	Track Gauge	1200 mm
	Length of Track On Ground	1535 mm
Operating Range	Max. Digging Radius	4909 mm
	Max. Digging Reach	4794 mm
	Max. Digging Depth	2881 mm
	Max. Digging Height	4412 mm
	Max. Dumping Height	2976 mm



**ZOOMLION**

**Zoomlion Heavy Industry Science & Technology Co.,Ltd.**

Add: No.361, South Yinpen Road, Changsha, Hunan Province, P.R.China 410013

Email: earthmoving@zoomlion.com

Copyright©2023 Zoomlion. All rights reserved. Reproduction and copying of any part of contents is not allowed for any purposes without Zoomlion's approval.  
Note: Materials and specifications are subject to change without notice. Featured machines in photos may include additional equipment.

