

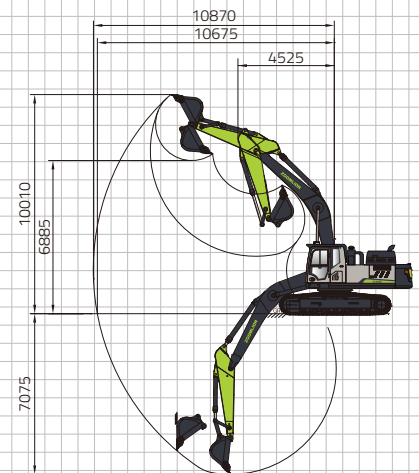
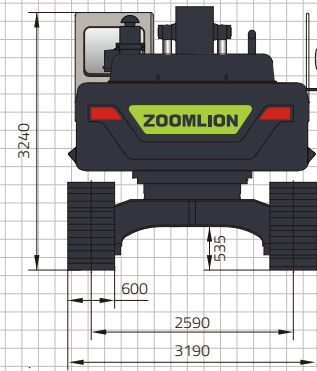
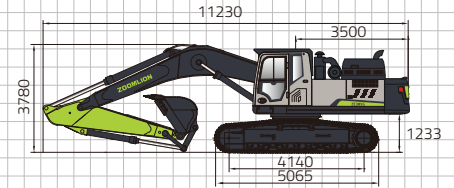
# CRAWLER EXCAVATOR ZE385G



**ZOOMLION**

# CRAWLER EXCAVATOR ZE385G

	Items	ZE385G
Basic Technical Data	Operating Weight	38000 kg
	Standard Bucket Capacity (Range)	HD 2.0 m <sup>3</sup> ( 1.6 m <sup>3</sup> - 2.2 m <sup>3</sup> )
	Slewing Speed	10.6 r/min
	Traveling Speed(high/low)	5.2/3.1 km/h
	Max. Drawbar Pull	320 kN
	Digging Force of Bucket	248 kN
	Digging Force of Stick	204 kN
Engine	Engine Manufacturer	CUMMINS
	Engine Model	QSL
	Rated Power	214 kw / 2100 rpm
	Displacement	8.9 L
	Emission Standard	EU Stage IIIA
Dimensions	Length	11230 mm
	Width	3190 mm
	Height	3780 mm
	Boom Length	6400 mm
	Stick Length	2900 mm
	Tail Slewing Radius	3500 mm
	Track Gauge	2590 mm
	Length of Track on Ground	4140 mm
Operating Range	Max. Digging Radius	10870 mm
	Max. Digging Reach	10675 mm
	Max. Digging Depth	7075 mm
	Max. Digging Height	10010 mm
	Max. Dumping Height	6885 mm



**ZOOMLION**

**Zoomlion Heavy Industry Science & Technology Co.,Ltd.**

Add: No.361, South Yinpen Road, Changsha, Hunan Province, P.R.China 410013

Email: earthmoving@zoomlion.com

Copyright©2024 Zoomlion. All rights reserved. Reproduction and copying of any part of contents is not allowed for any purposes without Zoomlion's approval.  
Note: Materials and specifications are subject to change without notice. Featured machines in photos may include additional equipment.

