

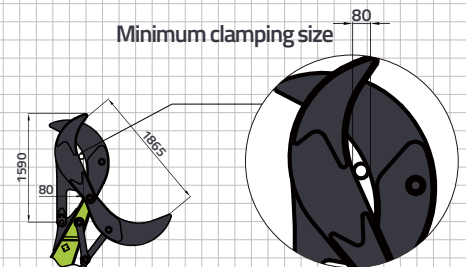
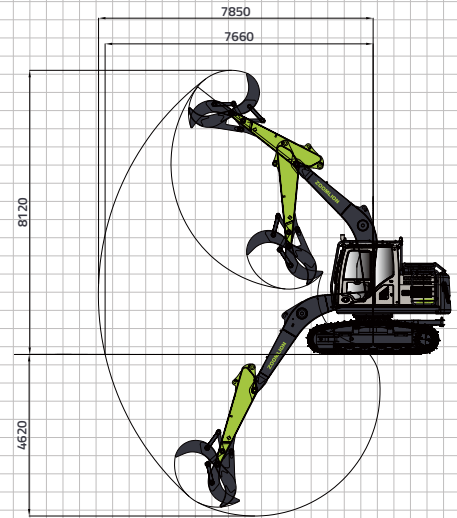
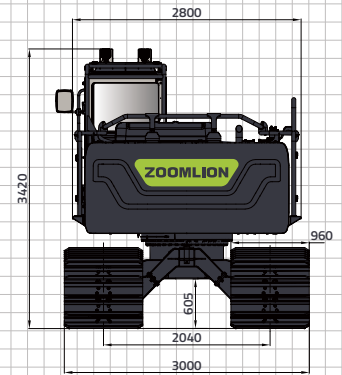
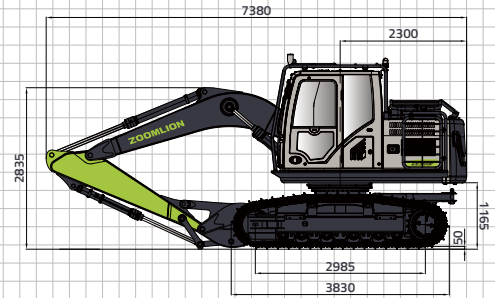
# CRAWLER EXCAVATOR ZE135GF



**ZOOMLION**

# CRAWLER EXCAVATOR ZE135GF

	Items	ZE135GF
Basic Technical Data	Operating Weight	16500 kg
	log grapple Range	1865 mm
	Traveling Speed(high/low)	4.5/2.6 km/h
	Slewing Speed	12 r/min
	Max. Drawbar Pull	156 kN
	Digging Force of Bucket	89 kN
	Digging Force of Stick	61 kN
Engine	Engine Manufacturer	CUMMINS
	Engine Model	QSF3.8t3TC115
	Rated Power	86 kw / 2200 rpm
	Displacement	3.8 L
	Emission Standard	Stage III
Dimensions	Length	7380 mm
	Width	3000 mm
	Height	3420 mm
	Boom Length	4260 mm
	Stick Length	2360 mm
	Tail Slewing Radius	2300 mm
	Track Gauge	2040 mm
	Length of Track on Ground	2985 mm
Operating Range	Max. Working Height	8120 mm
	Max. Working Radius	7850 mm
	Max. Working Reach at Ground Level	7660 mm
	Max. working Depth	4620 mm



**ZOOMLION**

**Zoomlion Heavy Industry Science & Technology Co.,Ltd.**

Add: No.361, South Yinpen Road, Changsha, Hunan Province, P.R.China 410013  
Copyright©2024 Zoomlion. All rights reserved. Reproduction and copying of any part of contents is not allowed for any purposes without Zoomlion's approval.

Email: earthmoving@zoomlion.com

Note: Materials and specifications are subject to change without notice. Featured machines in photos may include additional equipment.

