

ZOOMLION

# ELECTRIC TELESCOPIC BOOM LIFTS

## ZT23JE/ZT26JE

Comply with CE Standard



### HIGHLIGHTS

- ▶ Customized lithium-ion battery features green, environmental protection, lownoise and zero-emission, ideal for construction and plant maintenance.
- ▶ lithium-ion batteries combined with excellent energy management system provide longer running time.
- ▶ Low-temperature regenerative current control and power self-adaptive control effectively improve the safety of Li-ion battery and greatly prolong the batteries service life of at least 10%.
- ▶ Provide a variety of standard charging plugs and 10A/16A/32A multi-power optional charging mode featuring strong charging adaptability.
- ▶ Brand-new appearance with lightweight GFRP composite material hood and integrally formed coating features anti-corrosion, heat preservation, aging resistance and easy cleaning.
- ▶ Assembled large-opening component box, open-close hood, and a variety of reserved inspection hole easy to service.
- ▶ Accurate and efficient traveling AC drive system provides strong power and stable control. Gradeability reaches 45% and motor is maintenance-free for its lifetime.

### FEATURES

#### Standard Features

- |                         |                            |                        |
|-------------------------|----------------------------|------------------------|
| Horn                    | Emergency descent system   | Tilt protection system |
| Proportional control    | Emergency stop button      | Oscillating axle       |
| All motion alarm        | Secondary Guarding System  | Load sensing system    |
| Flashing beacon         | Auto-leveling system       | 4.3' Led display       |
| Self-closing entry gate | On-board diagnostic system | Swing-out engine tray  |

#### Accessories & Options

- |                      |                                       |
|----------------------|---------------------------------------|
| Platform work light  | Low-temperature hydraulic oil         |
| AC power to platform | Synthetic biodegradable hydraulic oil |
| Air line to platform | Non-marking tire                      |

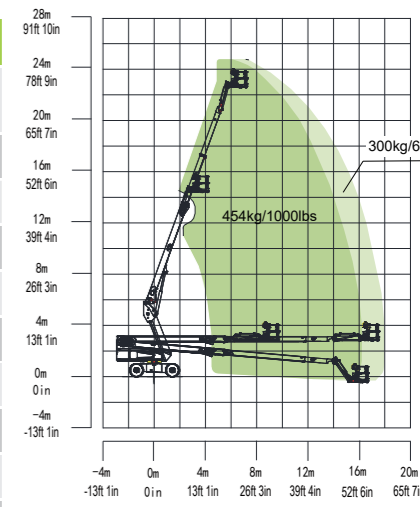
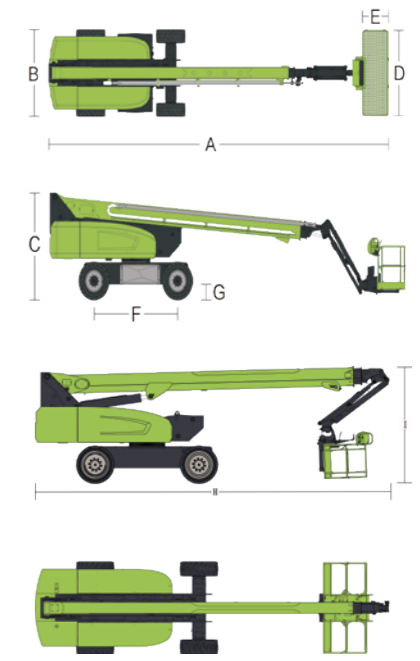
## ACCESS WITH ZOOMLION GREEN

Phone: 0086(731)-88353692  
E-mail: awp@zoomlion.com

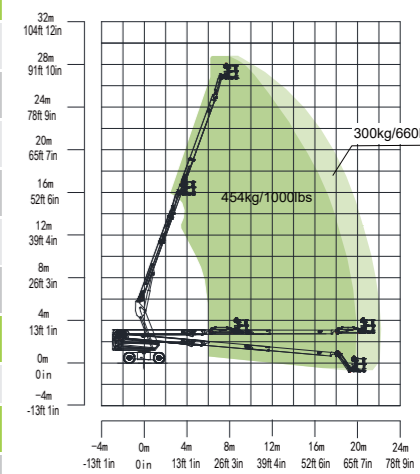
Add: 701 Xulong Nan Lu, Xiangjiang New District, Changsha Hunan, China  
Web: www.zoomlion-access.com

ZOOMLION

Model	ZT23JE		ZT26JE	
<b>Size</b>				
	Imperial	Metric	Imperial	Metric
Work Height	82ft 4in	25.10m	94ft 2in	28.70m
Platform Height	75ft 9in	23.10m	87ft 7in	26.70m
Horizontal Outreach	59ft 5in	18.1m	72ft 6in	22.1m
A - Stowed Length	33ft 10in	10.5m	39ft 1in	11.91m
B - Stowed Width	8ft 2in	2.49m	8ft 2in	2.49m
C - Stowed Height	9ft 3in	2.76m	9ft 3in	2.82m
D - Platform Length	8ft	2.44m	8ft	2.44m
E - Platform Width	3ft	0.91m	3ft	0.91m
Jib Length	6ft	1.83m	6ft	1.83m
F - Wheelbase	9ft 2in	2.52m	9ft 2in	2.80m
Tread	8ft 2in	2.49m	6ft 11in	2.49m
G - Ground Clearance	1ft 4in	0.41m	1ft 4in	0.41m
H - Gransport length	31ft 17in	9.5m	31ft 17in	9.5m
I - Transport height	10ft 17in	3.1m	10ft 17in	3.1m
<b>Performance</b>				
Platform Capacity (Unrestricted/Restricted)	660/1000lb	300/454kg	660/1000lb	300/454kg
Drive Speed (Stowed)	3.42mph	5.5km/h	3.42mph	5.5km/h
Gradeability	45% (24°)		45% (24°)	
Turning Radius (Inside)	8ft 11in	2.72m	10ft 2in	3.11m
Turning Radius (Outside)	18ft 4in	5.58m	20ft 3in	6.16m
Turntable Swing	360° continuous		360° continuous	
Platform Rotation	±90°		±90°	
Tail Swing	5ft 3in	1.61m	5ft 3in	1.61m
Jib Rotation	130° (55°~75°)		130° (-55°~75°)	
Max. Wind Speed	28mph	12.5m/s	28mph	12.5m/s
<b>Power</b>				
Battery	80V / 460Ah		80V/460Ah	
Charger	5KW/80V		5KW/80V	
Drive Motor	4.2kw		5.2KW	
Lifting Motor	21kw		30KW	
Auxiliary Power	12V DC		12V DC	
Hydraulic Tank	32 US gal	120L	32 US gal	120L
<b>Tire</b>				
Type	Foam-filled tire		Foam-filled Tires	
<b>Weight</b>				
Gross	29101lb	13200kg	37037lb	16800kg



Range of Motion ZT23JE



Range of Mtion ZT26JE

ZOOMLION ACCESS reserves the right to make specification and/or equipment changes without prior notification. Product specifications are updated to May, 2026.